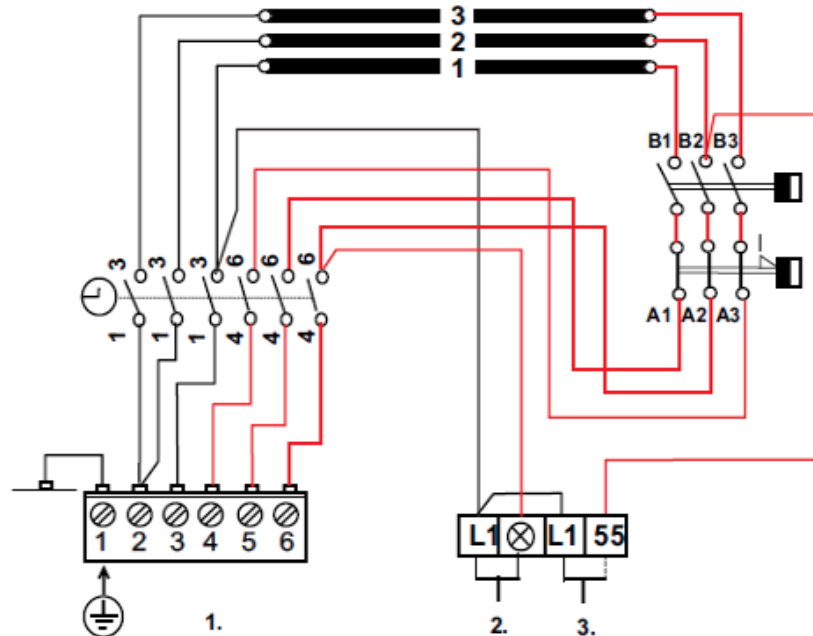


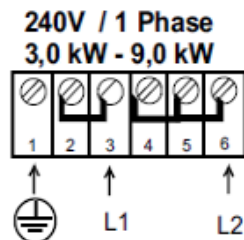
Saaku Sauna elements not working

1. High Limit: see: <https://www.saunafin.com/uploads/documents/d1c5d3306db5fa4de4f0139dbace7f31115eba09.pdf>
2. Mis-wire or faulty thermostat. The thermostat is a 3-stage control that can provide power to 1, 2 or 3 elements depending on the temp desired. Make sure it is turned fully in the clock-wise direction. Also, make sure the jumpers (copper horseshoes) are located correctly on the terminal block for incoming power at L1 and L2.

Electrician can “meter out” connections coming from thermostat to determine if it is faulty



1. Syöttö / Nätet / Stromnetz / Power input. / Puissance absorbée / Vermogensingang / Entrada de alimentación / Napájení /
2. N/A
3. N/A



354 SKSM 159 A

