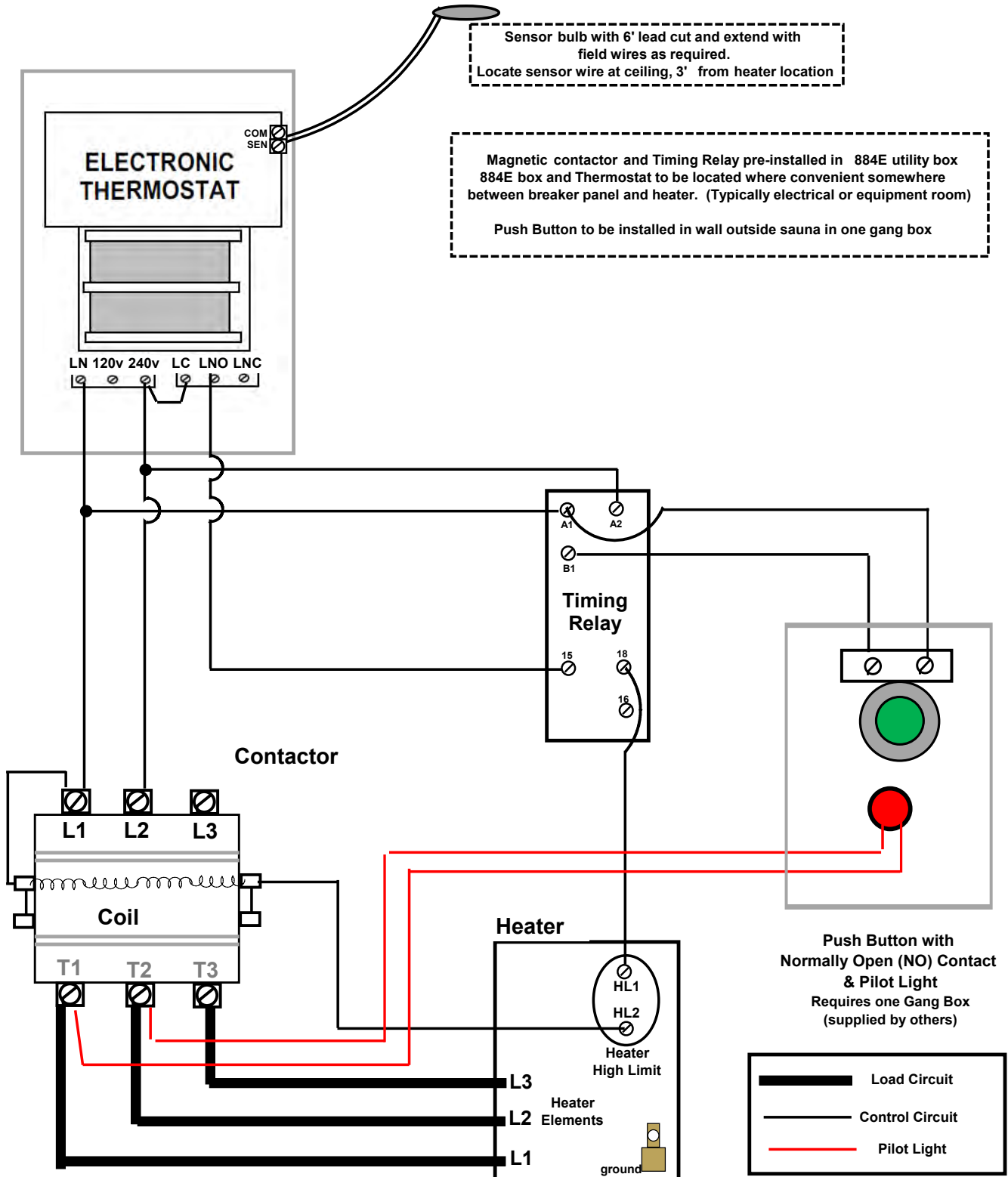


**A421 ELECTRONIC THERMOSTAT with  
CONTACTOR, PUSH BUTTON & TIMING RELAY  
(For Commercial Use in 208 Volt3 Phase application)**

**Thermostat and Magnetic Contactor to be located where suitable.  
The Timer is to be installed outside sauna, next to door**



Sensor bulb with 6' lead cut and extend with field wires as required. Locate sensor wire at ceiling, 3' from heater location

Magnetic contactor and Timing Relay pre-installed in 884E utility box 884E box and Thermostat to be located where convenient somewhere between breaker panel and heater. (Typically electrical or equipment room)  
 Push Button to be installed in wall outside sauna in one gang box

- Sauna heaters
- Sauna Material Liner Kits
- Pre-Fab Saunas
- Infrared Saunas
- Steambath Generators

## Commercial Push Button Timer

A421 thermostat with Contactor with Timing Relay & push button.  
Contactor and timing relay pre-wired in side 884E box.

A421 and Push Button (normally open) to be field connected  
Locate A421 thermostat and 884E box in electrical room or where  
convenient (away from public access).

Install push button with Normally Open contact in one gang box (not incl.)  
outside sauna next to door

