

TYLÖ DESCALING SOLVENT COMBI AND SENSE COMBI

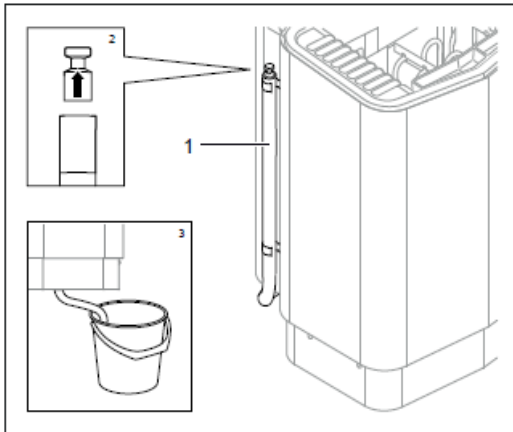


Figure 5: Emptying the water reservoir.

1. Water reservoir hose.
2. Remove plug
3. Lower hose into a suitable container

To prevent a build-up of calcium deposits, which can damage heating element, empty the reservoir after each sauna bath.

The Tylo descaling powder for the water tank in Tylö Combi sauna heaters is odorless and harmless. Descal the reservoir regularly with Tylö Solvent de-scaling agent.

Recommended Descal Schedule:

For saunas used 1 or 2 times weekly, descale once every 6 months.

For more heavily used saunas or those not drained after each use, we recommend descaling quarterly.

Sense Combi- (2017-)

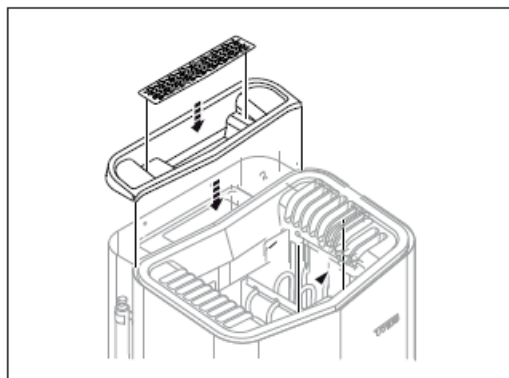
Fill water reservoir until tank full (single, solid beep will sound). Switch on the heater (max. humidity, min. temperature) and let it run until the water in the tank begins to boil. Switch off the heater and wait for approximately 5 minutes.

Mix one bag with .4 litre (1-3/4 cups) of water. Remove mesh grill, pour into the water tank. Leave the de-scaling agent to work for approximately 1 hour, then empty and flush the reservoir generously.

WARNING: The water is HOT!

Take hose, hold it up high and remove the plug.

Direct the hose to the sauna drain or lower the hose over a bucket.



To order additional de-scaler, contact:
sales@saunafin.com
905-738-4017 / 800-387-7029

The pricing is as follows:
1 for \$10.00
5 for \$45.00
Shipping Extra

Decalcify using Non-Tylo products

The tank should be filled up with water in same way as when you would use the steam function until the full tank signal sounds.

Then start the heater to heat the water and turn it off once water is boiling, or as an option it is possible also to just fill the tank from the beginning with hot water until it is full.

Then add around 2 cups descaling agent, the manual says to wait for 1 hour before draining the tank.

(Allow it to work a bit longer if there are clear signs of calcium build up in the tank, it won't be any harm if it is a few hours (3-4) instead.)

We recommend using descaling agents that are citric acid based and don't contain any other detergents. There can't be left any traces of the descaling agent that cause the water to foam when boiling and the CTR seems to contain some detergents besides the ingredients that dissolve calcium so we can't say how well it would work and in what concentration it would be used or if the tank needed to be rinsed an extra time afterwards.

Usually descales for use with coffee machines are based on citric acid or sulfamic acid that both are agents that we use in our brand descaling agents and are tested to be safe to use with our products. And then it is fine to use around 1 cup(8z) to one tank of water.

Citric Acid Based Descalers:

Amazon.com

https://www.amazon.com/s?k=citric+acid+for+cleaning&crd=2XPDN1M9U93KS&srefix=citric+acid+for+cleaning%2Caps%2C74&ref=nb_sb_noss_1

Amazon.ca

https://www.amazon.ca/s?k=citric+acid+for+cleaning&i=beauty&crd=1GL29YLHIFTT7&srefix=citric+acid+descaler%2Cbeauty%2C119&ref=nb_sb_ss_ts-doa-p_2_20