

Commercial: 208volt, 3 Phase Wiring

(Magnetic contactor to be field installed between breaker and sauna. Usually installed near breaker or in access box)

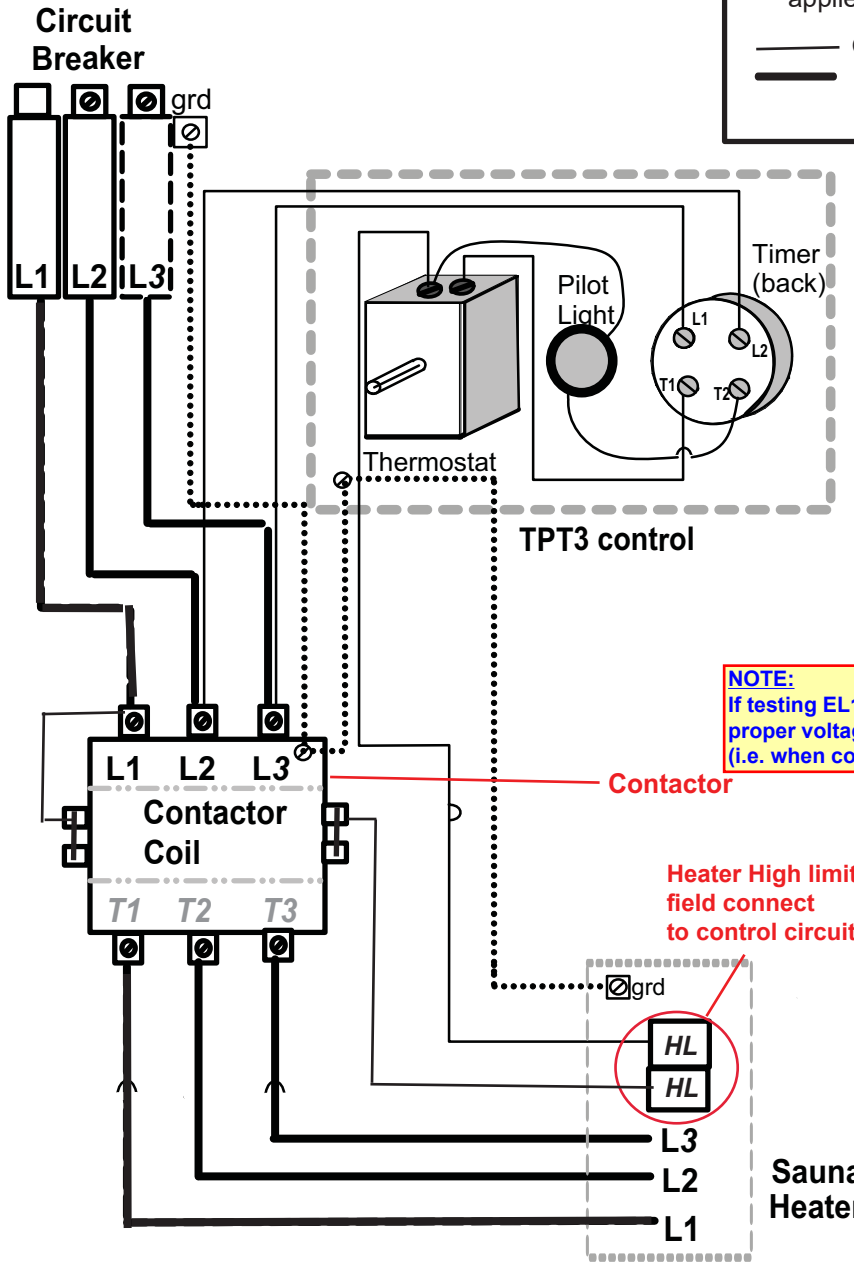
(TPT3 (mechanical))

(EL13 (electronic))

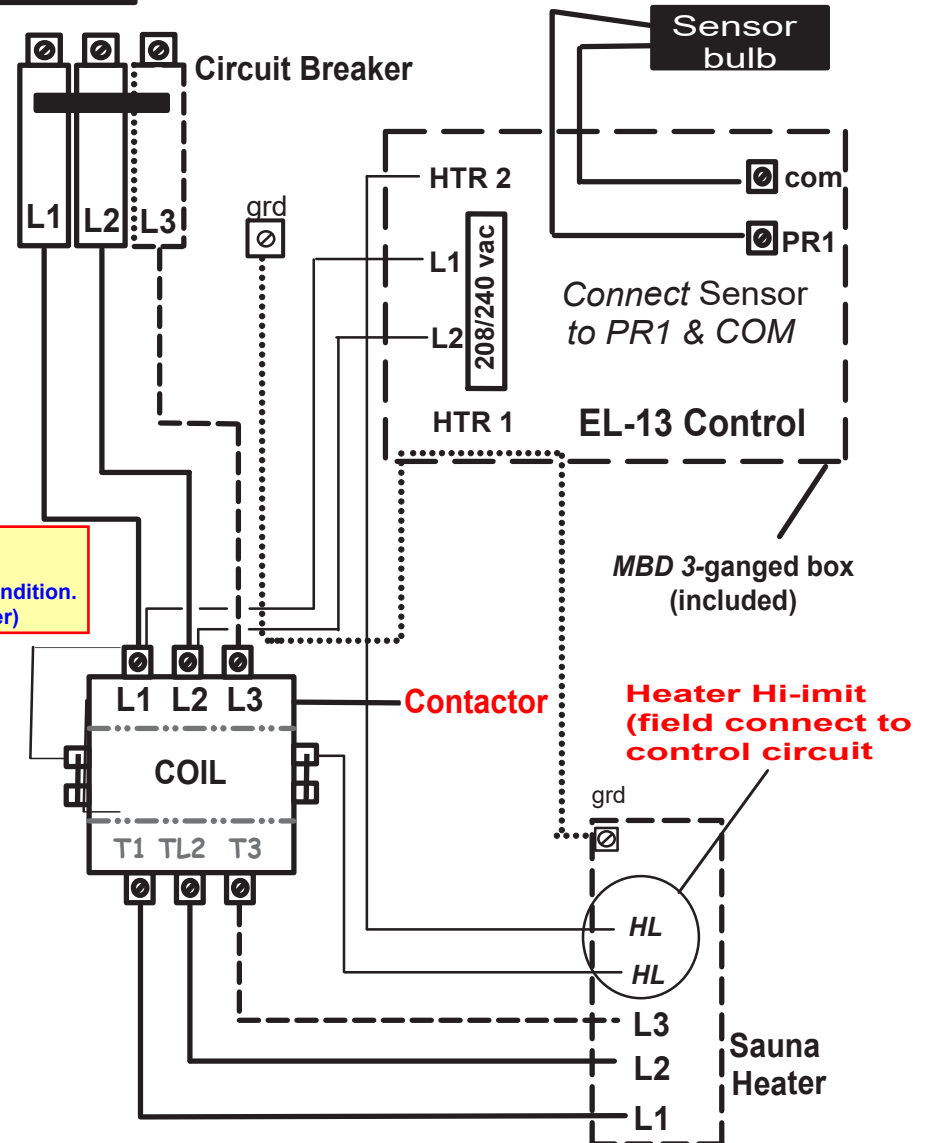
Ensure that correct voltage is applied to the contactor coil.

— Control Wire (#14)
 — Supply Wire

Sensing bulb should be located at ceiling 1'-2' from heater, 1" max. from ceiling. 12' of capillary wire included. (If additional length required, use 18ga or 20ga wire to extend)



NOTE:
 If testing EL13, you only get proper voltage under load condition. (i.e. when connected to heater)



Connect Sensor to PR1 & COM

MBD 3-ganged box (included)



HEATER SPECIFICATIONS

Watts	Room Size (cu. Ft.)		Min. Ceiling Ht.	Floor Size (Sq. Ft.)		Volts	Phase	Amps.	Wire Size*	Circuit Breaker*
	Min.	Max.		Min.	Max.					
<u>240 Volt Single Phase</u>										
Wall Mounted										
4000	100	150	78"	12	30	240	1	16.7	10	30
5000	150	250	78"	18	38	240	1	20.8	10	30
6000	200	300	78"	25	46	240	1	25	8	40
7500	290	375	78"	36	57	240	1	31.3	8	40
9000	360	450	78"	45	69	240	1	37.5	8	50
Floor Standing										
12000	450	700	84"	56	93	240	1	50	6	60
15000	600	900	84"	75	114	240	1	62.5	4	80
<u>208 Volt Single & Three Phase</u>										
Wall Mounted										
5000	150	250	78"	18	38	208	1	24	10	30
6000	200	300	78"	25	46	208	1	28.9	8	40
6000	200	300	78"	25	46	208	3	16.6	10	30
7500	290	375	78"	36	57	208	1	36	8	50
7500	290	375	78"	36	57	208	3	20.9	10	30
9000	360	450	78"	45	69	208	1	43.2	6	60
9000	360	450	78"	45	69	208	3	25	8	40
Floor Standing										
12000	450	700	84"	56	93	208	1	57.7	4	70
12000	450	700	84"	56	93	208	3	33.4	8	50
15000	600	900	84"	75	114	208	3	41.7	6	60
18000	750	1050	84"	100	143	208	3	50.3	6	70

*** Wire and Breaker size is recommendation only. Confirm with your licensed electrician.**

Sauna Sizing:

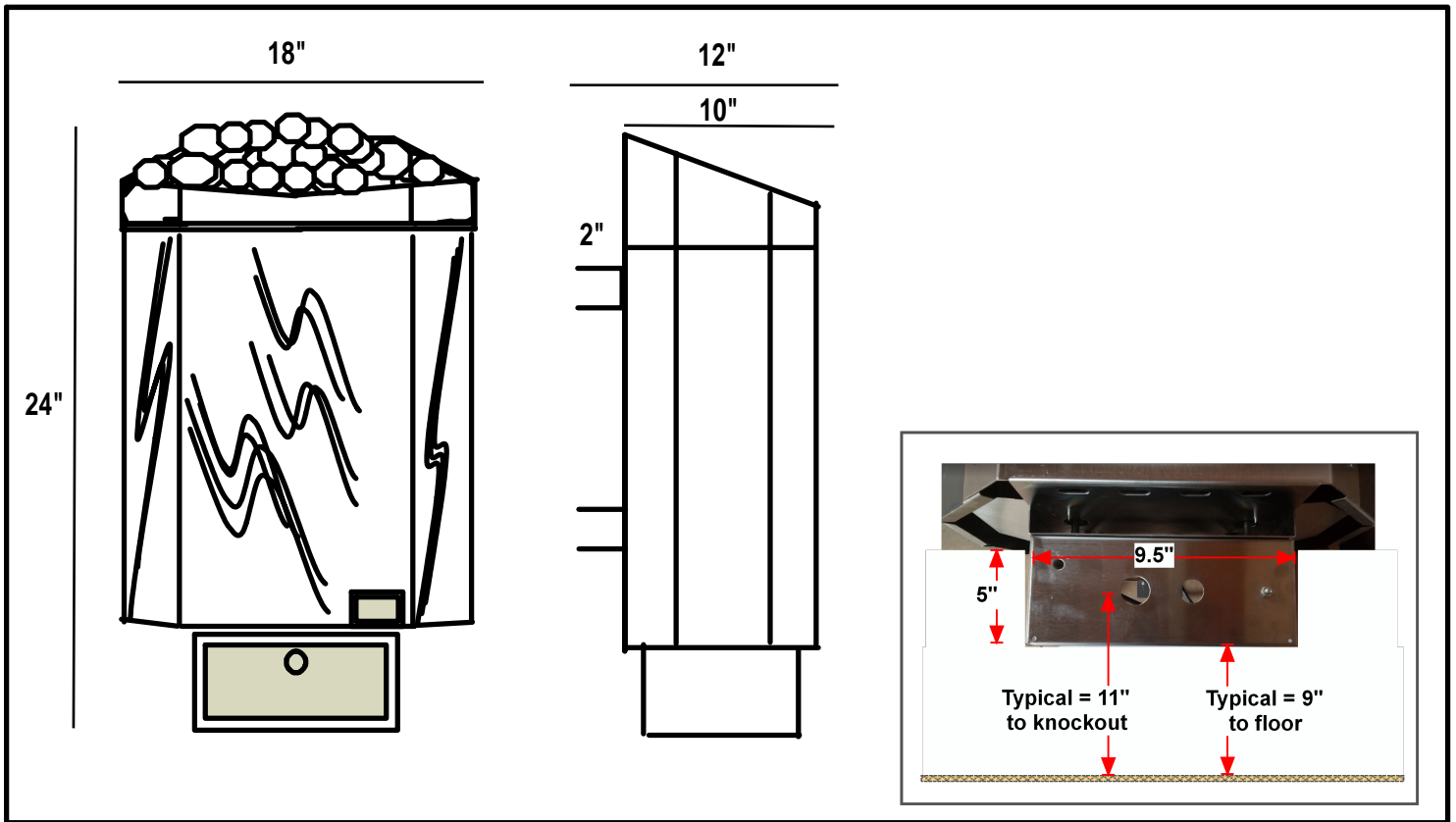
Sauna heat is stratified. Recommend height is 7'. Max. height should never be higher than 8'. Try not to press maximum range of heater. Recommend targeting 90% of capacity

240v/1phase: Standard Residential power in USA & Canada is 240 volt, 1 phase.

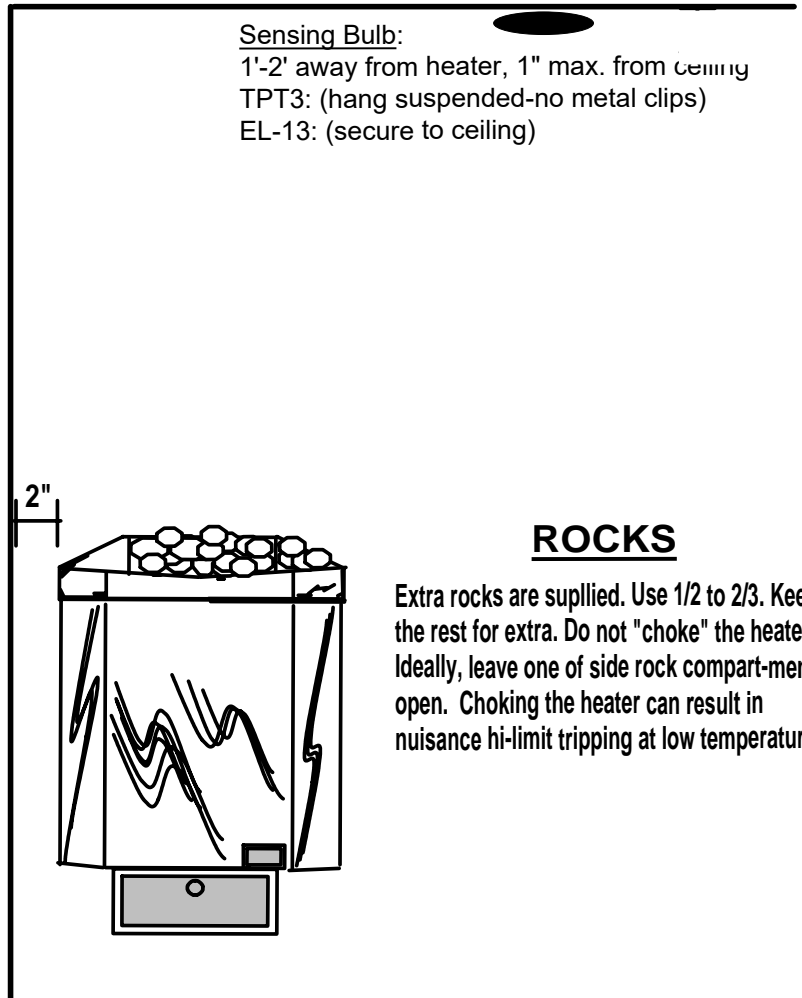
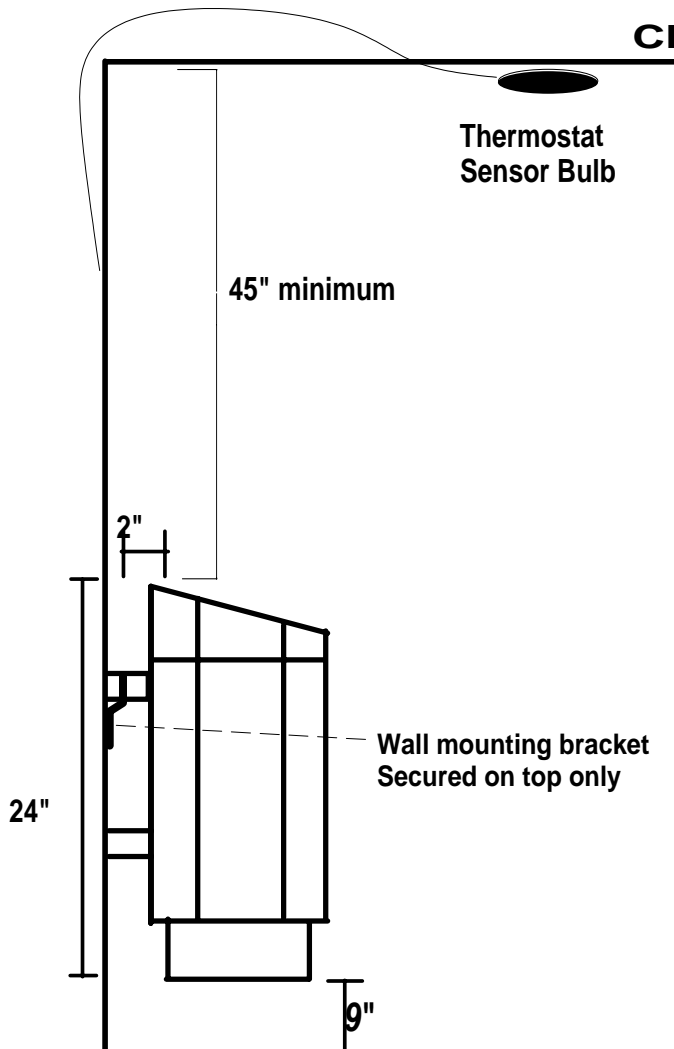
208 volt, single phase: May be found in some commercial construction and certain high apartment density cities (i.e., Manhattan)

208volt/3phase: Commonly used in commercial construction; i.e., condos, hotels, clubs, etc.

SAUNA CRAFT CW SERIES HEATER DETAIL



CEILING

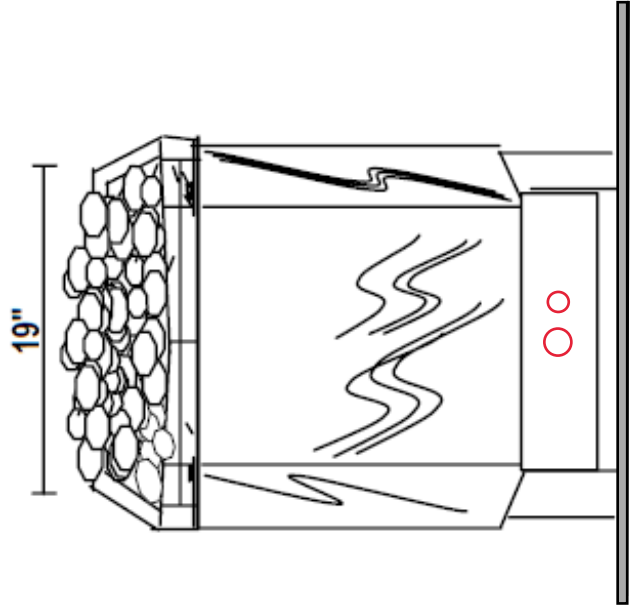
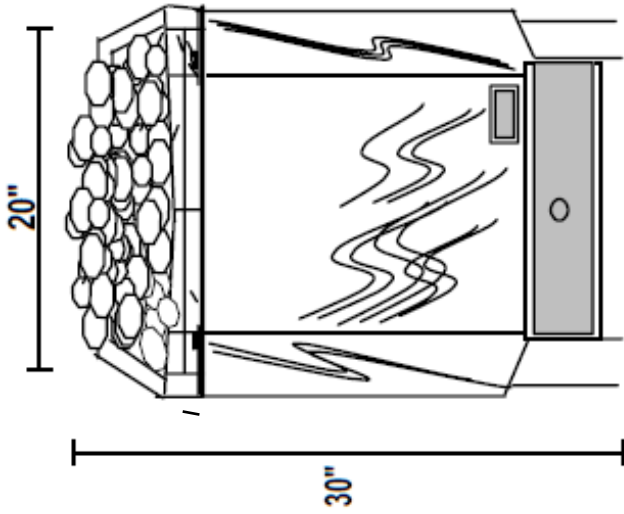


SAUNA CRAFT FM SERIES HEATER DETAIL

FM SERIES HEATER (12 - 18 kw)

SAUNA CRAFT "FM" heaters are floor standing heaters. The heater must be installed at least 4" from all adjacent surfaces (e.g. walls, guard fence, ect..) and the minimum ceiling height must be 84".

The controls are located on the outside wall of the sauna, preferably beside the door. Only the sensor bulb is located inside the sauna and is to be mounted 1' to 2' from the heater, at the ceiling.

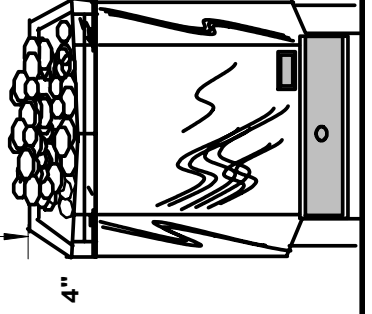


**Floor to
knock-out = 4"**

CEILING

Sensing Bulb:
1'-2' away from heater, 1" max. from ceiling
TPT3: (hang suspended-no metal clips)
EL-13: (secure to ceiling)

45" minimum



ROCKS

Do not "choke" the heater. Stack rocks in a loose pyramid style, leaving pockets of air. You should be able to glimpse the elements hear and there. Choking the heater will result in nuisance hi-limit tripping at low temperatures.