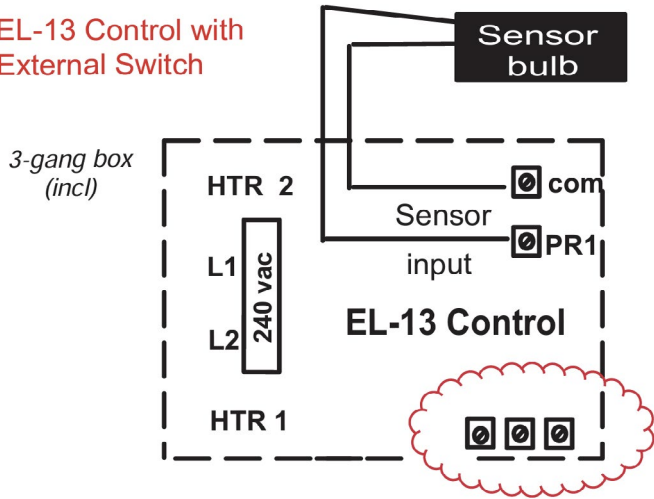


EL-13-R CONTROL WITH EXTERNAL SWITCH

NOTE: EL-13-R is special order. You cannot add external switch to standard control. Wiring shown is just for external switch. See separate control/heater diagrams.

INSTALL OUTSIDE OF SAUNA

EL-13 Control with External Switch



- Connect control to external start/stop switch (included) (wire not included).
- Install external switch in one-gang box (not included).
- Run 18/3 from switch to control.
- Wire can 200-300 hundred feet. Do NOT run low voltage wire next to line voltage.
- Button will switch sauna on & off.
- The LED light will come on when sauna is operating. It will go off when sauna is off.
- Will not connect wirelessly via Alexa, Google Home or similar.

