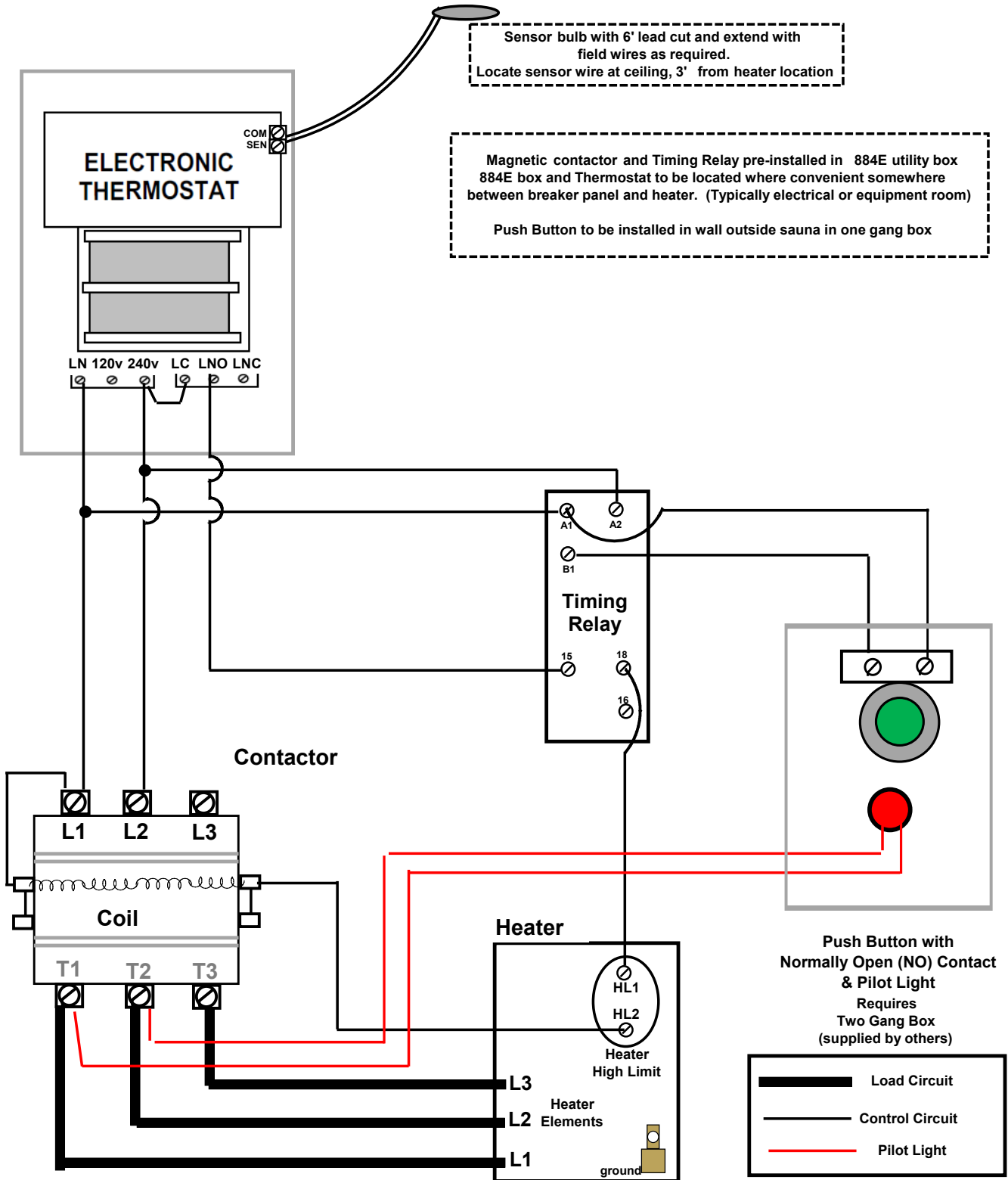


**FSA421 ELECTRONIC THERMOSTAT with
CONTACTOR, PUSH BUTTON & TIMING RELAY
(For Commercial Use in 208 Volt3 Phase application)**

**Thermostat and Magnetic Contactor to be located where suitable.
The Timer is to be installed outside sauna, next to door**



- Sauna heaters
- Sauna Material Liner Kits
- Pre-Fab Saunas
- Infrared Saunas
- Steambath Generators

Commercial Push Button Timer

FSA421 thermostat and Contactor with Timing Relay inside 884E box)

Commercial Push Button with "normally Open" contact

(Locate FSA421 and 884E box in electrical room or where convenient
(away from public access)

Install Button with Normally Open contact in one gang box outside sauna
next to door

