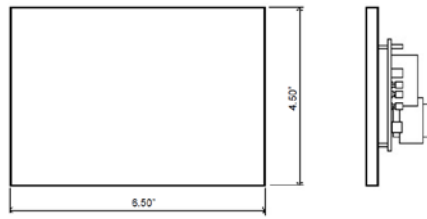
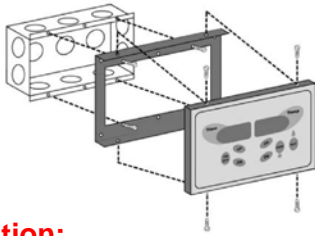


EL-13 Electronic Control Operation Manual (SD4)



Sensor location:

Mount sensor at ceiling,
1' to 2' away from the heater.

Sensor bulb must be fully exposed inside sauna (Screw tab must be inside sauna , so screw hole is visible. Do Not partially recess sensor bulb tip inside cedar.



New Sensor (Aug. 2019)

Idle: When control is inactive, it shows "OFF" in time window & current room temperature in temp window

Start: Press "ON/OFF".

Sauna defaults to 60 minutes and maximum temperature 90°C (194°F).

When operational, time window will flash between the word "on" and setpoint and time remaining and actual temperature.

When the control is engaged, a small dot will flash in the time window.

Off: Pressing the "ON/OFF" a third time will turn off the sauna.

C. vs. F.: Control can be set to Celsius or Fahrenheit.

When control is off, press temp up + temp down buttons at the same time

Temperature: Use the "up" and "down" icons, on the "Temp" side (right) to set the desired temperature. Defaults to maximum 90°C (194°F)

Time: Use the "up" and "down" icons, on the "Time" side (left) to set the desired time. Sauna defaults to 60 minutes

Delay Start: When control is off, press time "up" + time "down" buttons at the same time for several seconds. "Del" will display in time window (left). Use time up & down arrows to set delay time. Increments of 10 minutes To a maximum of 10 hours. Shows minutes and hours. Press "on/off" button to engaged delay start feature

Aux./Light: Light function is not available

User: Can be used to program a different default setting. One User default is always standard sauna mode (60 minutes and maximum temperature (90°C /194°F). Press "User" to see "other" setting. program preferred time and temperature. Press "on" After that, pressing on will start alternate settings until change back (or there is power loss to control-after power loss, control returns to factory default settings)

TROUBLESHOOTING:

The sensor wiring and controls are continually checked for proper operation. If a malfunction is detected, the controller will automatically switch OFF the load and deactivate itself. At the same time the display will show

"high temp", "sensor short". sensor wires may be touching each other or metal. check connection at control.
"low temp" sensor open". Sensor not properly connected (or detected extreme heat).

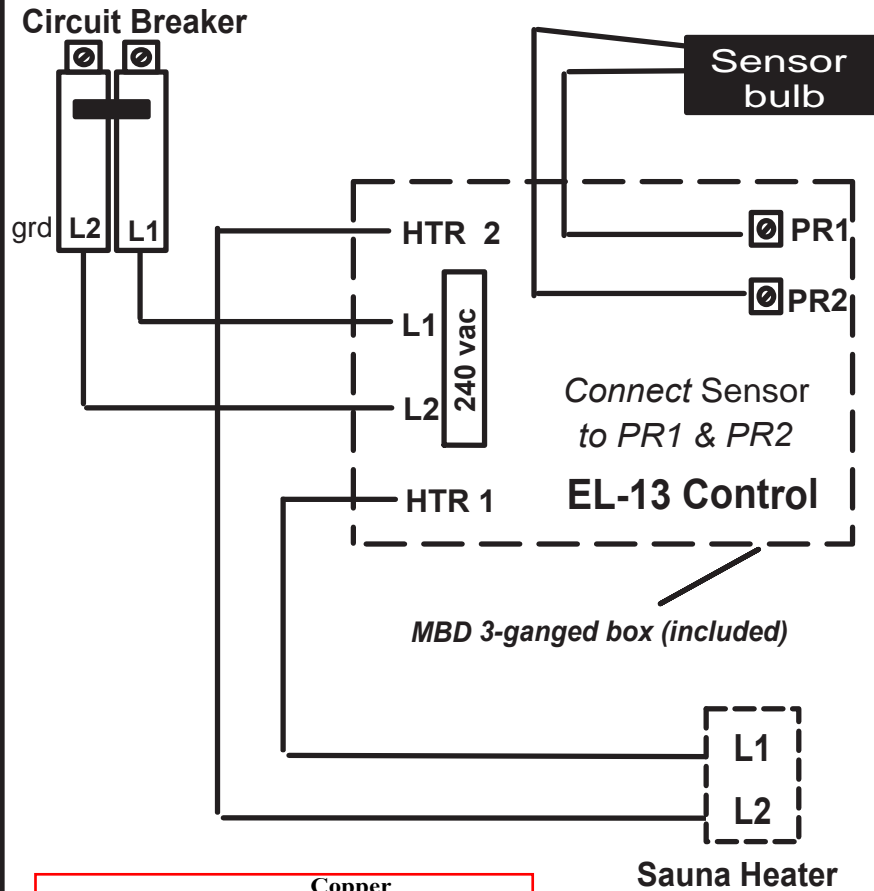
Testing sensor: At room temperature (72f/21c) sensor should read at 100,000 ohms (.1 megaohms)

EL-13 Electronic Control -240 volt, 1 Phase (Residential)

(Control to be mounted outside of sauna; i.e. beside door)

4 KW, 5 KW & 6 KW / 240 Volt / 1 PHASE

Sensing bulb should be located at ceiling 1'-2' from heater, 1" maximum from ceiling.
12' of capillary wire included. (If additional length required, use 18ga or 20ga wire to extend)



Watts	Volts	Phase	Copper Wire	Breaker
4000	240	1	10	30
5000	240	1	10	30
6000	240	1	10	30

* Breaker & wire size is recommendation only.
Confirm with your licensed electrician.

Contactor required for Heaters 7.5 kw to 15 kW

Ensure that correct voltage is applied to the contactor coil.

— Control Wire(#14)
— Supply Wire

Watts	Volts	Phase	Copper Wire	Breaker
7500	240	1	8	40
9000	240	1	8	50
12000	240	1	6	60
15000	240	1	4	80

* Breaker & wire size is recommendation only.
Confirm with your licensed electrician.

