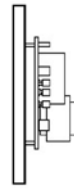
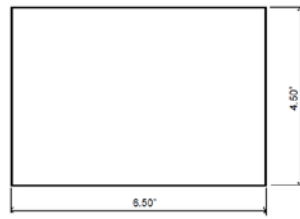
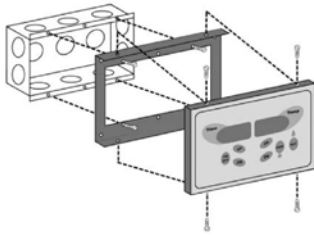


# EL-13 Electronic Control Operation Manual (SD4)



## Sensor location:

Mount sensor at ceiling, 1' to 2' away from the heater.

**Very Important:** Sensor bulb must be fully exposed inside sauna (so screw hole is visible. Do Not partially recess any of bulb inside cedar.



**New Sensor (Aug. 2019)**



**Older sensor**

**Idle:** When control is inactive, it shows "O" in time window & room temperature in temp window

**Start:** Press "ON/OFF".

Sauna defaults to 60 minutes and maximum temperature 90°C (194°F).

When operational, time window will flash between the word "on" and setpoint and time remaining and actual temperature.

When the control is engaged, a small dot will flash in the time window.

**Off:** Pressing the "ON/OFF" a third time will turn off the sauna.

**C. vs. F.:** Control can be set to Celsius or Fahrenheit.

When control is off, press temp up + temp down buttons at the same time

**Temperature:** Use the "up" and "down" icons, on the "Temp" side (right) to set the desired temperature. Defaults to maximum 90°C (194°F)

**Time:** Use the "up" and "down" icons, on the "Time" side (left) to set the desired time. Sauna defaults to 60 minutes

**Delay Start:** When control is off, press time "up" + time "down" buttons at the same time for several seconds. "Del" will display in time window (left). Use time up & down arrows to set delay time. Increments of 10 minutes To a maximum of 10 hours. Shows minutes and hours. Press "on/off" button to engaged delay start feature

**Aux./Light:** Light function is not available

**User:** Can be used to program a different default setting. One User default is always standard sauna mode (60 minutes and maximum temperature (90°C /194°F). Press "User" to see "other" setting. program preferred time and temperature. Press "on" After that, pressing on will start alternate settings until change back (or there is power loss to control-after power loss, control returns to factory default settings)

## **TROUBLESHOOTING:**

The sensor wiring and controls are continually checked for proper operation. If a malfunction is detected, the controller will automatically switch OFF the load and deactivate itself. At the same time the display will show

"Err". The controller cannot be reactivated until all causes of the malfunction are fixed.

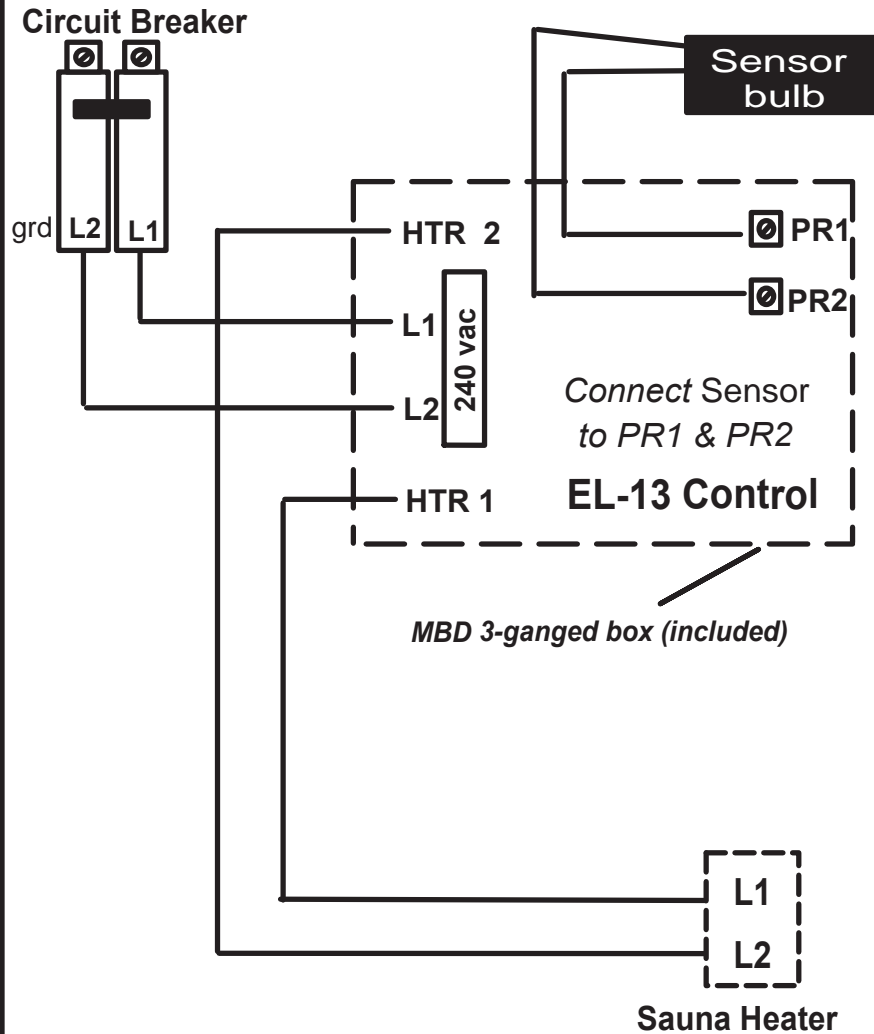
"Err" with "0" in temp window usually indicates sensor is not connected properly.

# EL-13 Electronic Control -240 volt, 1 Phase (Residential)

(Control to be mounted outside of sauna; i.e. beside door)

4 KW, 5 KW & 6 KW / 240 Volt / 1 PHASE

Sensing bulb should be located at ceiling 1'-2' from heater, 1" maximum from ceiling.  
12' of capillary wire included. (If additional length required, use 18ga or 20ga wire to extend)

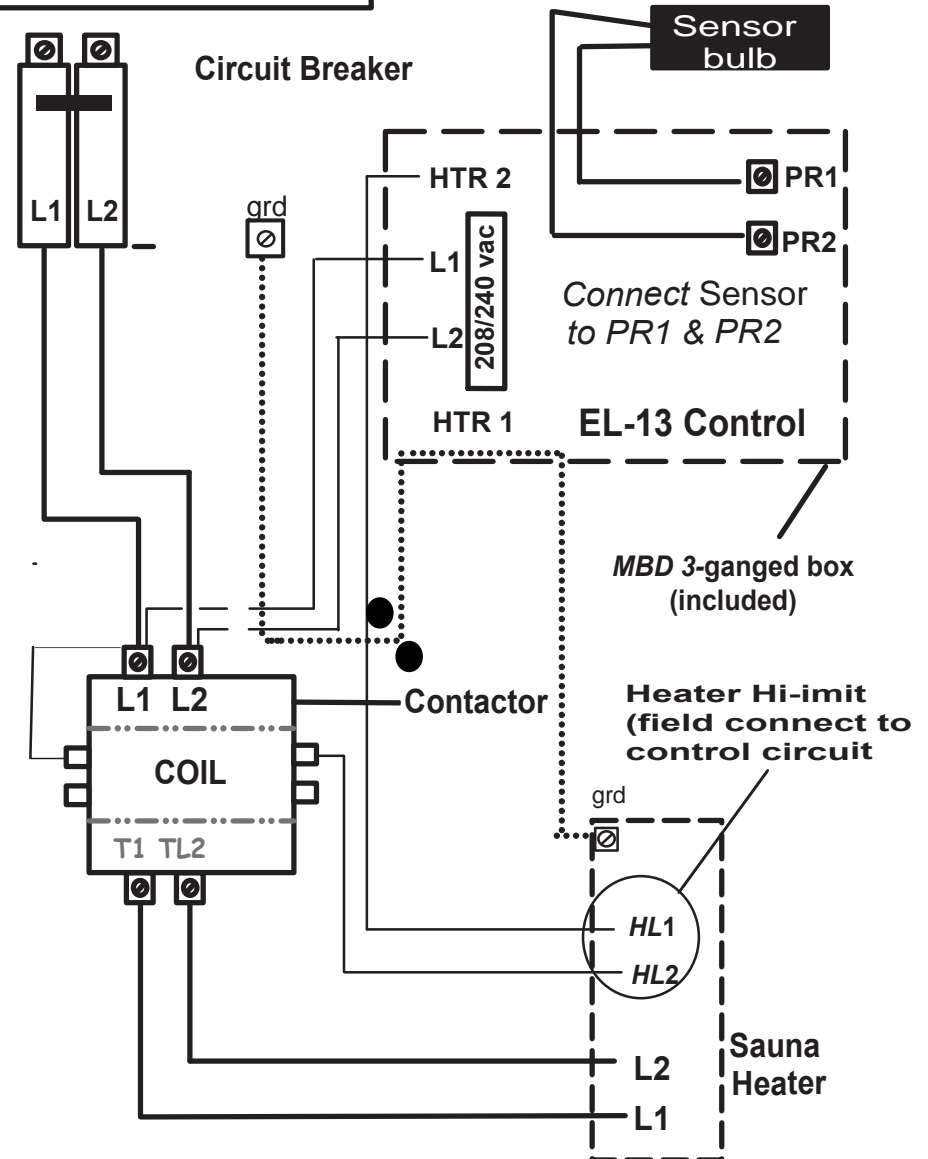


Contactor required for Heaters 7.5 kw to 15 kW)

Ensure that correct voltage is applied to the contactor coil.

— Control Wire(#14)  
— Supply Wire

Sensing bulb should be located at ceiling 1'-2' from heater, 1" max. from ceiling.  
12' of capillary wire included.  
(If additional length required, use 18ga or 20ga wire to extend)



# Commercial: 208volt, 3 Phase Wiring

(Magnetic contactor to be fird isntalled between breaker and sauna. Usually isntalled near breaker or in access box)

## (TPT3 (mechanical))

## (EL13 (electronic))

Ensure that correct voltage is applied to the contactor coil.

— Control Wire (#14)  
 — Supply Wire  
 - - - Dashed line for 3 Phase Only

Sensing bulb should be located at ceiling 1'-2' from heater, 1" max. from ceiling. 12' of capillary wire included. (If additional length required, use 18ga or 20ga wire to extend)

