

# SENSE PLUS PURE Quick-Start Tip Sheet

This page to be used in conjunction with Tylo Full Manual included

## CONNECTION/WIRING DIAGRAM

TAB	208 V 1 Phase			240 V 1 Phase		
Model	Amperage Amps	Output kW	Wire Size AWG	Amperage Amps	Output kW	Wire Size AWG
Sense -U 7	26	5,3	10	30	7,0	8
Sense -U 8	30	6,3	8	35	8,3	8

**Note:** Heating elements do not change for voltage changes. The heater output will change based on the voltage applied to heater. Most North American homes are 240v.

## Plus-Pure

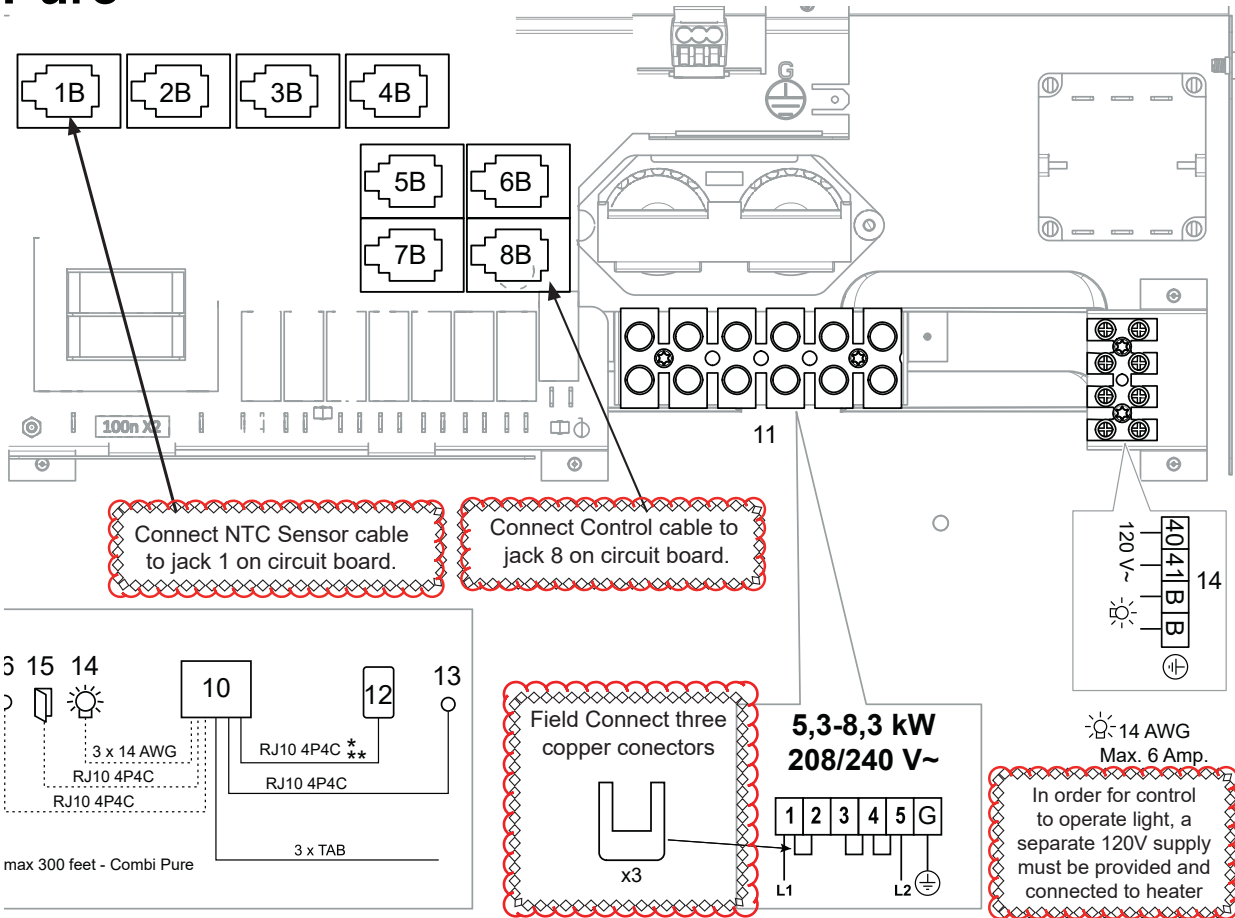
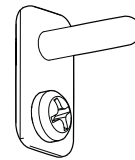


Figure 19: Wiring diagram

1. NTC Sensor - Combi Pure.
2. Ext switch (External switch Optional)
3. N/A
4. N/A
5. N/A
6. N/A
7. N/A
8. Control Pure Control
10. Heater
11. Terminal for connection of electrical cable
12. Control panel (connect to position 8)
13. Sensor - Pure (connect to NTC position 1)
14. Light/terminal for connection of light
15. N/A
16. External switch (option)

### Sensor Installation Tip



Sensor with metal tab can usually installed without cover with one screw through the sensor tab directly to the finished wall.

**If using Sensor Cover,** you must feed the sensor wire through the sensor holder **FIRST** before putting sensor wire in the wall.

Position the sensor according the picture (see Figure 3).

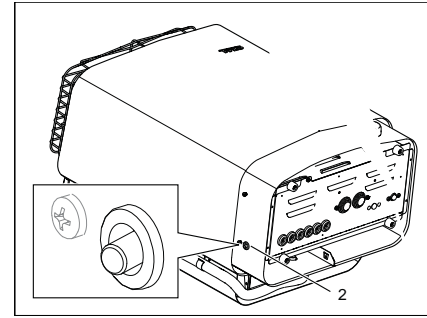
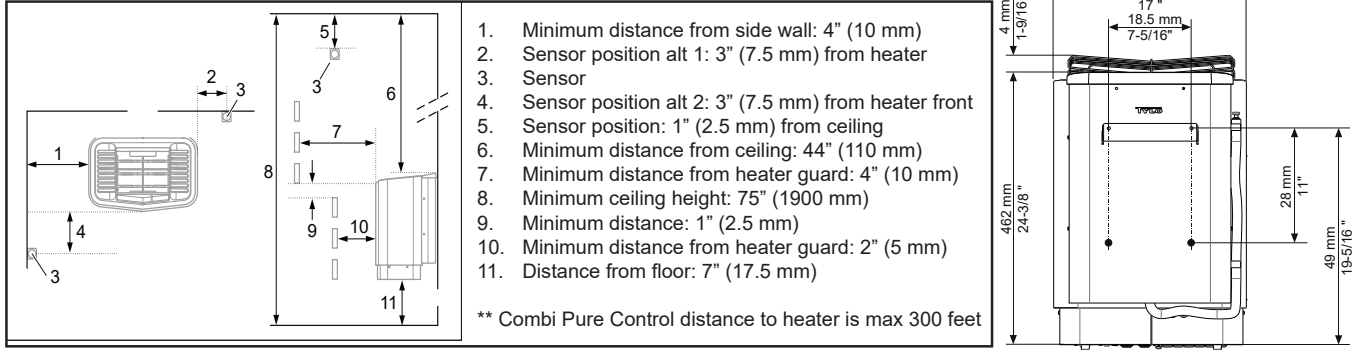


Figure 9: Resetting the temperature cut-out  
Temperature cut-out sauna heater



**Positioning the control panel**

The control panel can be installed inside or outside of the sauna room. (Outside is Typical)

**Pure Control Installation Instructions**

The control panel can be installed inside or outside the sauna room. If the control is installed inside the room, install no higher than 3' (90 cm) above the floor. No closer than 12" (30 cm) to heater.

**Installation Without Mounting Bracket (Typical)**

Cut a 1-3/16" (3 cm) hole through the wall big enough for the control panel connector.

Attach the double-sided adhesive to the control panel. Before applying the control to the wall, connect it to the heater and electrically test everything first. Clean the surface where the control will be applied to remove all dust. Remove the protective backing from the adhesive. Silicone sealant can be applied in the groove on the back of the panel as an extra seal. Connect the control wire, push the excess wire through the hole in the wall and press the control panel firmly to the wall.

**Installation Bracket**

Use the mounting bracket as a template to mark screws holes on the wall. Tighten the screws a little until the bracket is nearly secured.

Remove the bracket from the wall. Use adhesive to mount the control to the bracket. Remember to position the switch according to the picture.

**Installation without Bracket (Typical)**



Install without bracket  
Control stuck directly to the wall. Control cable in the stud cavity.

**Installation with Bracket**



Install with bracket  
Generally only used when control wire is surface mounted; i.e. sold log style outdoor sauna.