

Commercial: 208volt, 3 Phase Wiring

(Magnetic contactor to to be field installed between breaker and sauna. Usually installed near breaker or in access box)

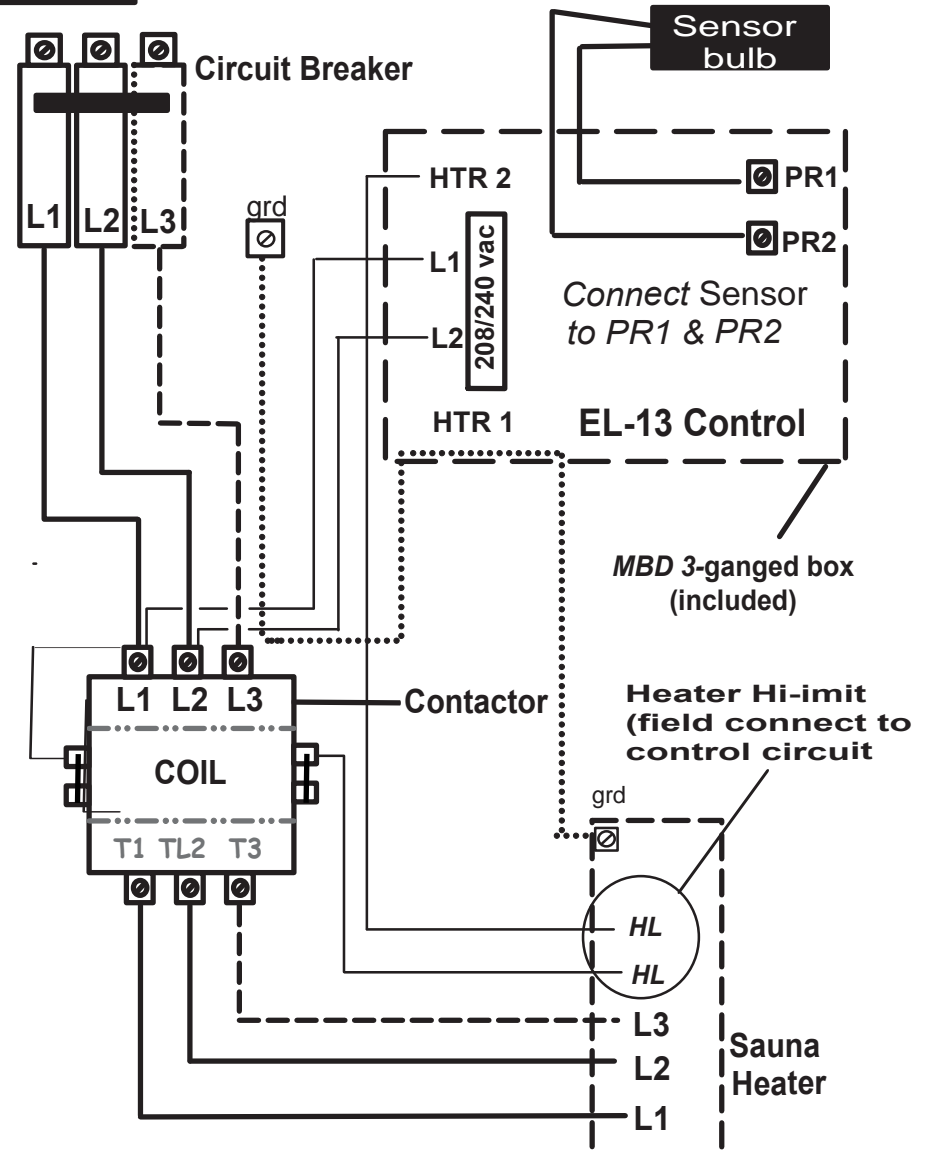
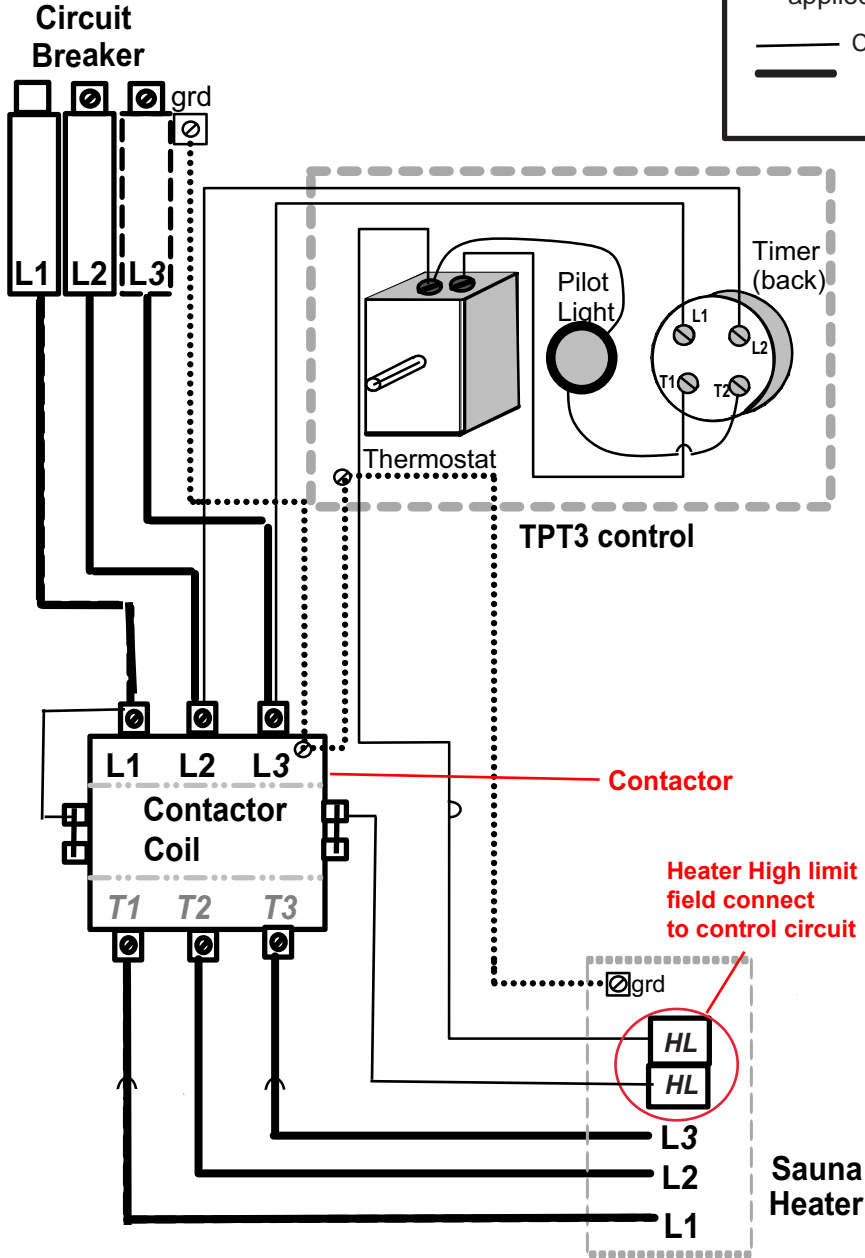
(TPT3 (mechanical))

(EL13 (electronic))

Ensure that correct voltage is applied to the contactor coil.

— Control Wire (#14)
 — Supply Wire

Sensing bulb should be located at ceiling 1'-2' from heater, 1" max. from ceiling. 12' of capillary wire included. (If additional length required, use 18ga or 20ga wire to extend)



Connect Sensor to PR1 & PR2

MBD 3-ganged box (included)