

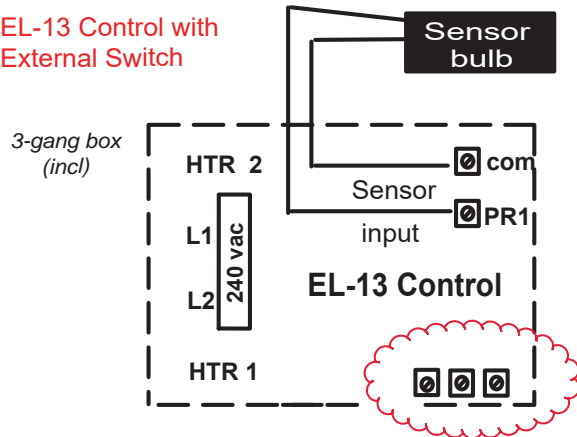
EL-13-R CONTROL with External Switch

NOTE:

EL-13-R is special order. You cannot add external switch to standard control. Wiring shown is just for external switch. See separate control/heater diagrams.

INSTALL OUTSIDE OF SAUNA

EL-13 Control with External Switch



Connect control to external start/stop switch (included).
 (wire not included)
 Install external switch in one-gang box (not included).
 Run 18/3 from switch to control.
 Wire can 200-300 hundred feet. Do NOT run low voltage wire next to line voltage.
 Button will switch sauna on & off.
 The LED light will come on while sauna is operating.
 It will go off when sauna is off.

(Will not connect wirelessly via Alexa, Google Home or similar)



EL-13-R
 REAR VIEW)

