

elite steam®

Steambath Control

Model: EC-150

Product Information – EC-150

1 year parts warranty

Preset time and programmable temperature.

Digital display of ambient and set temperature.

Icons for system status - heating and set temp.

Dimensions: 2¾" x 2¾"

Package Includes: Control, 35-Ft. multi-conductor cable, 6-Pin coupler, 3199 series steamhead, strain relief clamp, silicone sealant, installation and operating instructions.

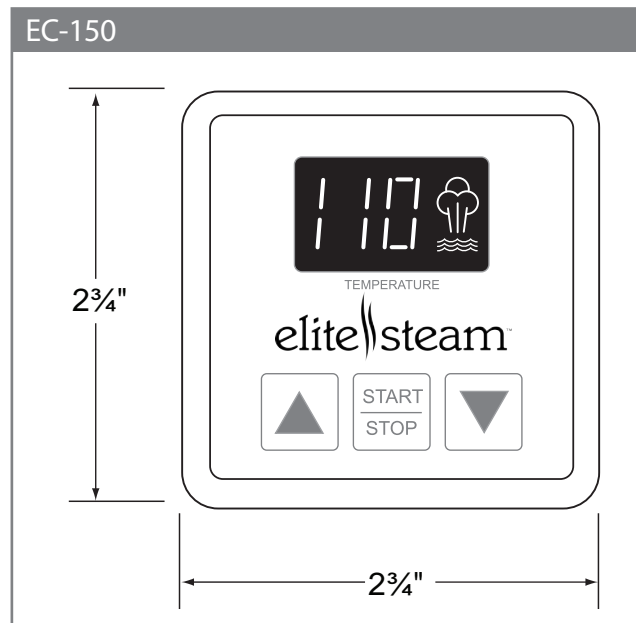
Required Electrical Service: Low-voltage connection from ES generator via multi-conductor cable (supplied).

Product No. - Finishes:

EC-150-PC - Polished Chrome

EC-150-PN - Polished Nickel

EC-150-BN - Brushed Nickel



Notes

Installation Notes

Surface Mount - 1½" hole required.

Mounts inside steam room.

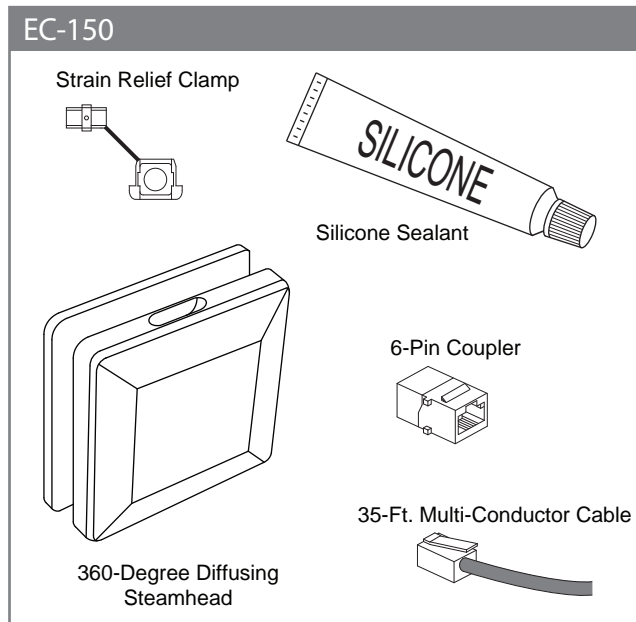
EliteSteam recommends that the multi-conductor cable be run through ¾" conduit to protect cable from damage and to facilitate easy replacement.

Mount control near seating area and not above steamhead.

Rough-in Notes

Control should be mounted 48" above the floor.

Steamhead to be mounted 12" to 18" above the finished floor or 6" above the rim of the tub and as far from the seating area as possible.



elite steam®

Steam Generator

Models: ES-12 and ES-15

Features

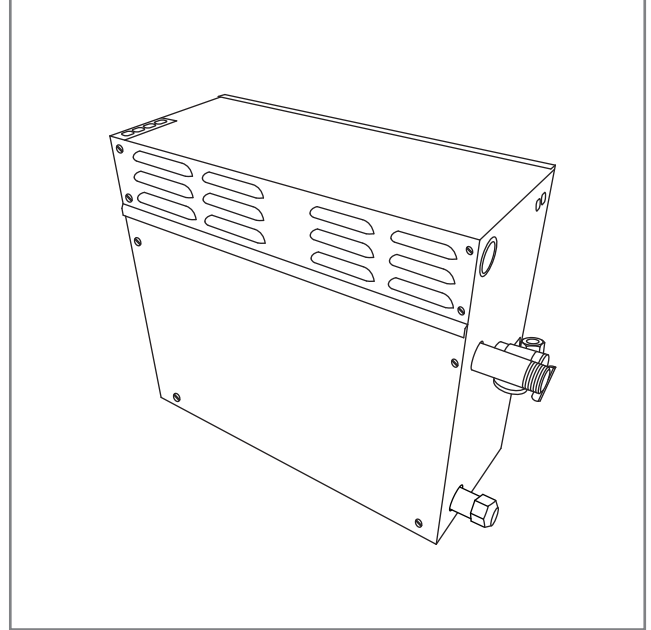
Limited 10 year parts warranty - 1-year in home labor warranty where available

Microprocessor based diagnostics and LED indication

Stainless Steel Tank Construction

Intelligent control communication

UL/CUL Listed



Steam Generator Specification Chart

Models: ES-12 and ES-15

Product Number	KW Rating	Max. Adj. Cu. Ft. Range*	Volts/Phase/Max. Amps	Line Fuse	Dimensions L x W x H
ES-12	12	550	240/1/50	60	17¾" x 7½" x 15½"
ES-15	15	675	240/1/63	80	17¾" x 7½" x 15½"

* Refer to sizing guidelines to accurately determine the proper size generator for the installation.

90°C copper wire is required for generator connection. Installation shall be in accordance with NEC and local electrical

Required Equipment

EC-150 Control

Required Electrical Service

Dedicated circuit required: See Specification Chart for proper electrical requirements

Product Information

Water Supply - ¾" Compression Fitting, 120 PSI Max

Steam Outlet - ¾" Brass NPT male thread

Pressure Relief Valve - ¾" NPT female thread

Drain Outlet - Capped ½" Brass NPT male thread

Supplied with a 35' control cable

Generator

Weight - 41 lbs.

Installation Notes

For optimum performance, the steam generator should be mounted as close as possible to the steam room. If needed, the steam pipe may be up to 50' long.

Steam Generators should be accessible for service.

Do NOT install near flammable material such as paints, thinners, gasoline, etc.

Steam generators must NOT be installed outdoors, in moist, humid areas, in areas prone to freezing, or extreme heat such as an unventilated attic. To do so will void the warranty.

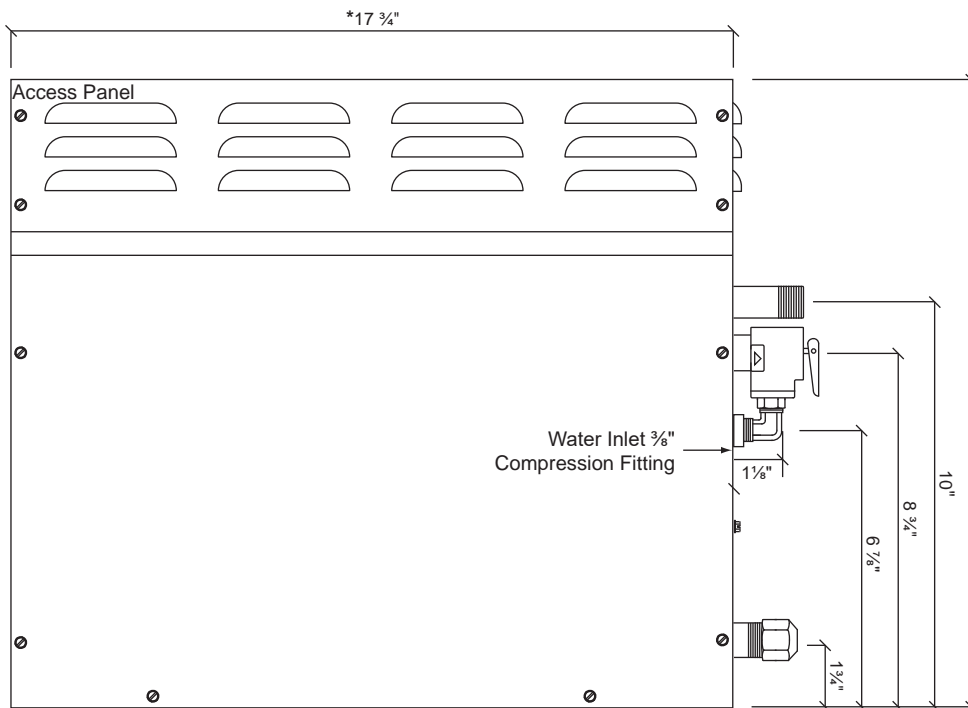
Steamhead to be mounted 12" to 18" above floor or 6" above rim of tub and as far from the seating area as possible.

Service Access

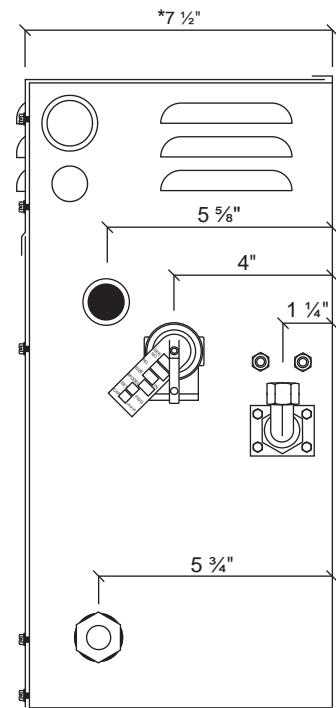
Minimum: 28" L x 18" W x 22" H (35" L with an Optional Auto Drain)

Dimensional Drawing

Models: ES-12 and ES-15

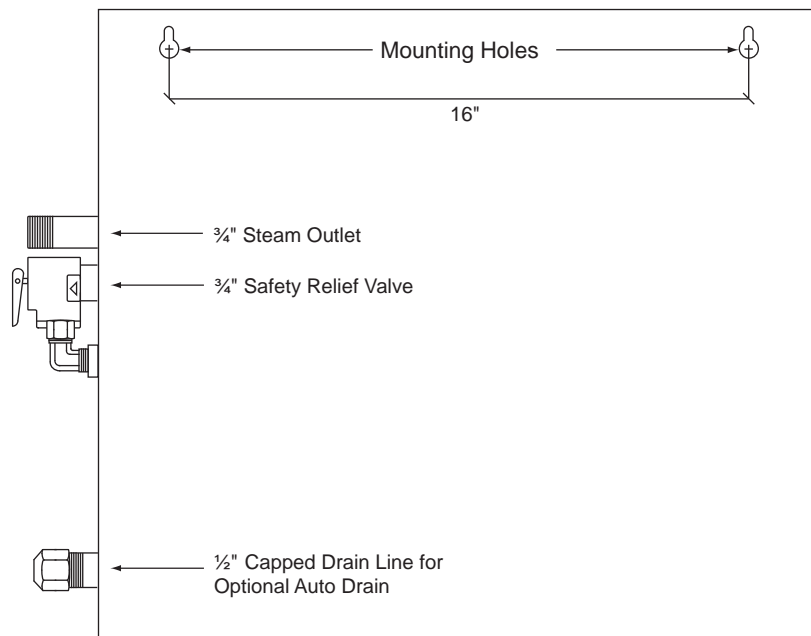


Front Access

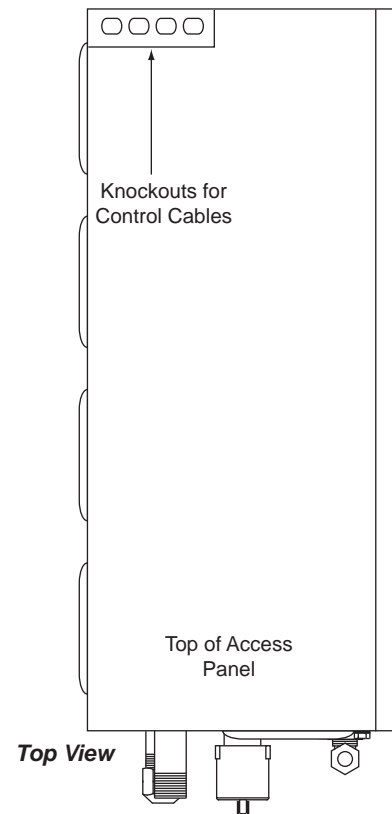


Front Side View

* Add $\frac{1}{4}"$ to the dimension for the louvers



Back View



Top View