

TYLÖ DESCALING SOLVENT COMBI AND SENSE COMBI

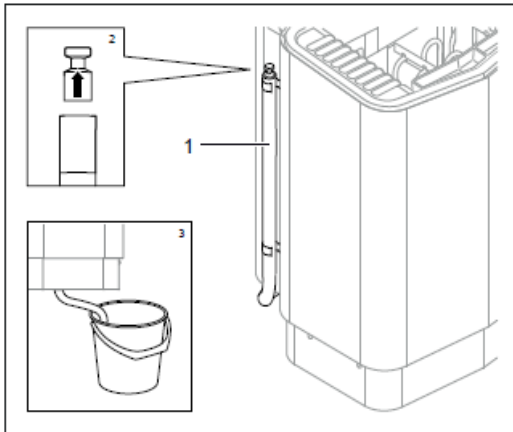


Figure 5: Emptying the water reservoir.

1. Water reservoir hose.
2. Remove plug
3. Lower hose into a suitable container

To prevent a build-up of calcium deposits, which can damage heating element, empty the reservoir after each sauna bath.

The Tylo descaling powder for the water tank in Tylö Combi sauna heaters is odorless and harmless. Descale the reservoir regularly with Tylo Solvent de-scaling agent.

Recommended Descale Schedule:

For saunas used 1 or 2 times weekly, descale once every 6 months.

For more heavily used saunas or those not drained after each use, we recommend descaling quarterly.

Sense Combi- (2017-)

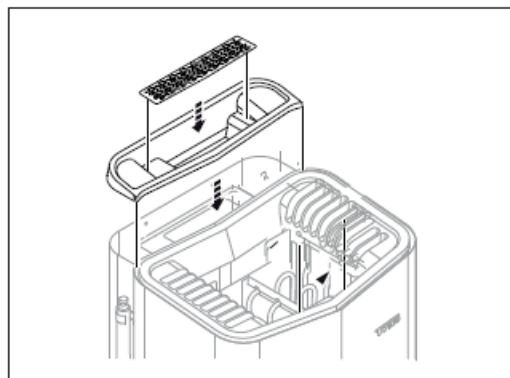
Switch on the heater (max humidity, min temperature) and let it run until the water in the tank begins to boil. Switch off the heater and wait for approximately 5 minutes.

Mix one bag with .4 litre (1-3/4 cups) of water. Remove mesh grill, pour into the water tank. Leave the descaling agent to work for approximately 1 hour, then empty and flush the reservoir generously.

WARNING: The water is HOT!

Take hose, hold it up high and remove the plug.

Direct the hose to the sauna drain or lower the hose over a bucket.



To order additional de-scaler, contact:
sales@saunafin.com
905-738-4017 / 800-387-7029

The pricing is as follows:
1 for \$10.00
5 for \$45.00
Shipping Extra